



Kaynemaile® Exterior Framed Screens are designed to fit into exterior frames and are perfect for solar and privacy screens and feature screen applications.

Features

Weight: 0.6lbs/ft² (3kg m²)

Sizes: Unlimited in size.

Colour palette: All Kaynemaile standard exterior colours are suitable for exterior framed screen use. For colour range visit www.kaynemaile.com/exterior-colour-palette

Supplied hardware: Kaynemaile framed screens are supplied with our RE/8™ bio-circular architectural mesh, low profile edge track and mesh saddles along with standard screw fixings for timber and steel.

Hanging System

Kaynemaile framed screens utilise our 0.9in high x 0.39in wide (23mm x 10mm) low profile anodised aluminium track at all edges combined with our polycarbonate mesh saddles that clip the mesh in under light tension.

Our low profile track is designed to fix directly to a substrate or framework and comes pre-drilled at 7.87in (200mm) centres for fast install.

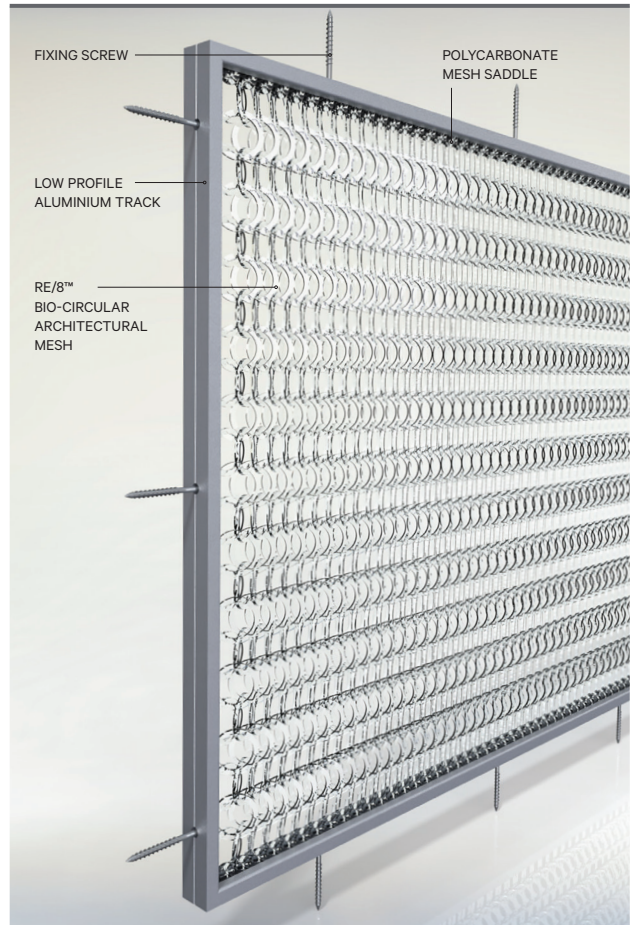
Kaynemaile exterior framed screens may not be suitable for balustrade or safety from falling applications. Contact us for more information.

Frame Requirements

Kaynemaile framed screens are not self supporting and are designed to fit within a framed opening or structure around the full perimeter (not supplied). The screens are under light tension. The size of the screen will determine the sub-frame requirements. Your sub-frame can be concrete, steel or timber.

How to order your screens

To order just let us know the specified width and height and colour. We can supply your screens slightly oversize in height to allow for any variations during the construction period. Kaynemaile screens and track can easily be trimmed down on site.



Technical Specifications

Material	RE/8™ bio-circular architectural mesh, fire and UV resistant
Visual open area	Approximately 25%
Physical open area	Approximately 80%
Weight	0.6 lb/ft ² (3kg m ²)
Maximum sheet size	Unlimited height and width
Screen thickness	0.6in (15mm)
Colour customisation	Available (additional costs may apply to small orders)
Diameter of ring	0.86in internal (22mm), 1.10in external (28mm)



FAQ's

Are the screens supplied assembled?

The screens are not supplied assembled. We supply mesh and track for you to install into your outer frame.

Do I need to supply exact dimensions for the frame when I place my order?

We normally supply track and mesh slightly oversize to help you out. You can easily cut our track and mesh on site to suit your final dimensions.

Can the mesh slide on the track like a curtain?

The mesh is fixed into the track and does not slide or move along the track.

How do I clean the screen?

Our screens are made from durable high-grade polycarbonate. We recommend cleaning every six months using a low pressure water-blaster at no more than 1200psi. If pressure-blasting is not possible, we advise cleaning with a soft brush or broom and water. Do not use harsh soaps, solvents, chemicals, or waxes as these may cause damage.

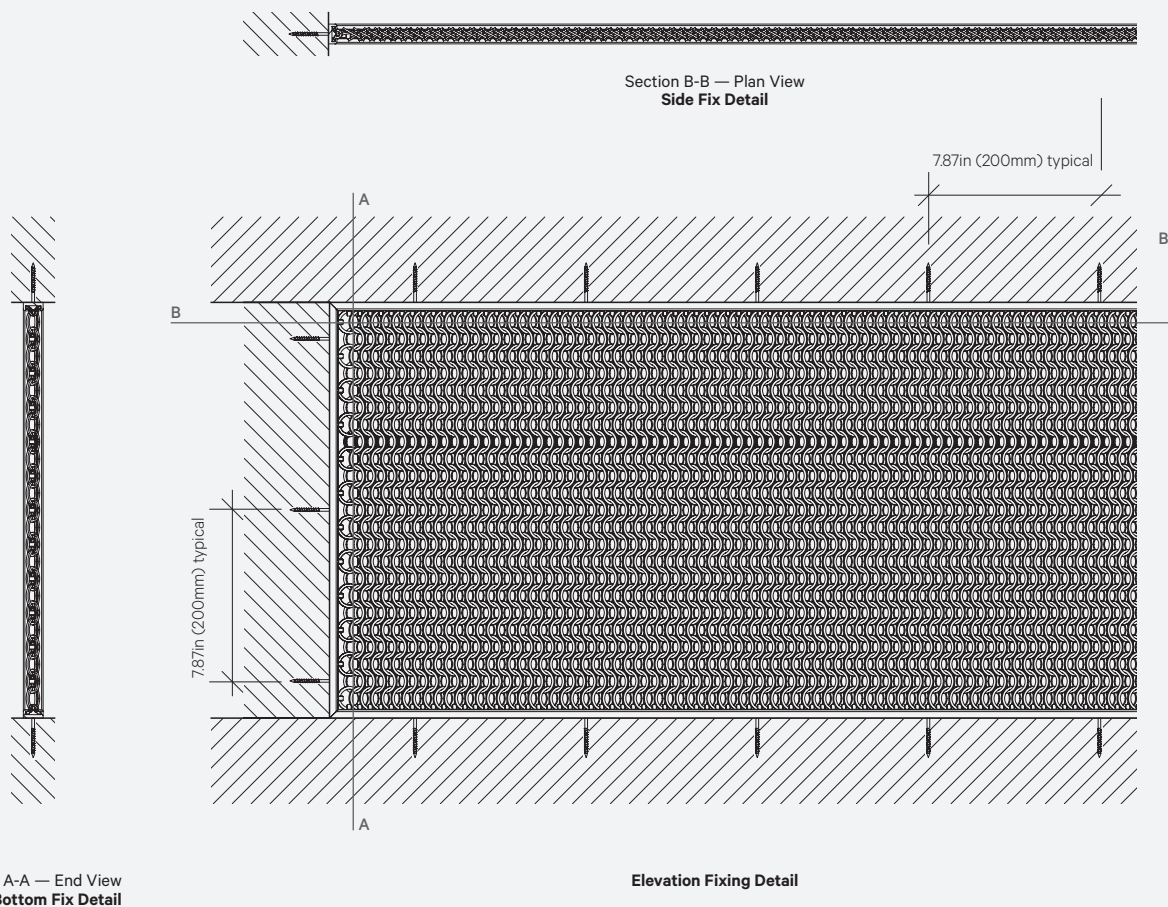
Can you assist me with my frame design?

Of course! Just give us a call to discuss further: NZ +64 4 473 4989, AU Toll Free 1800 231 153, USA Toll Free 1855 387 5440

Kaynemaile Typical Fixing Details

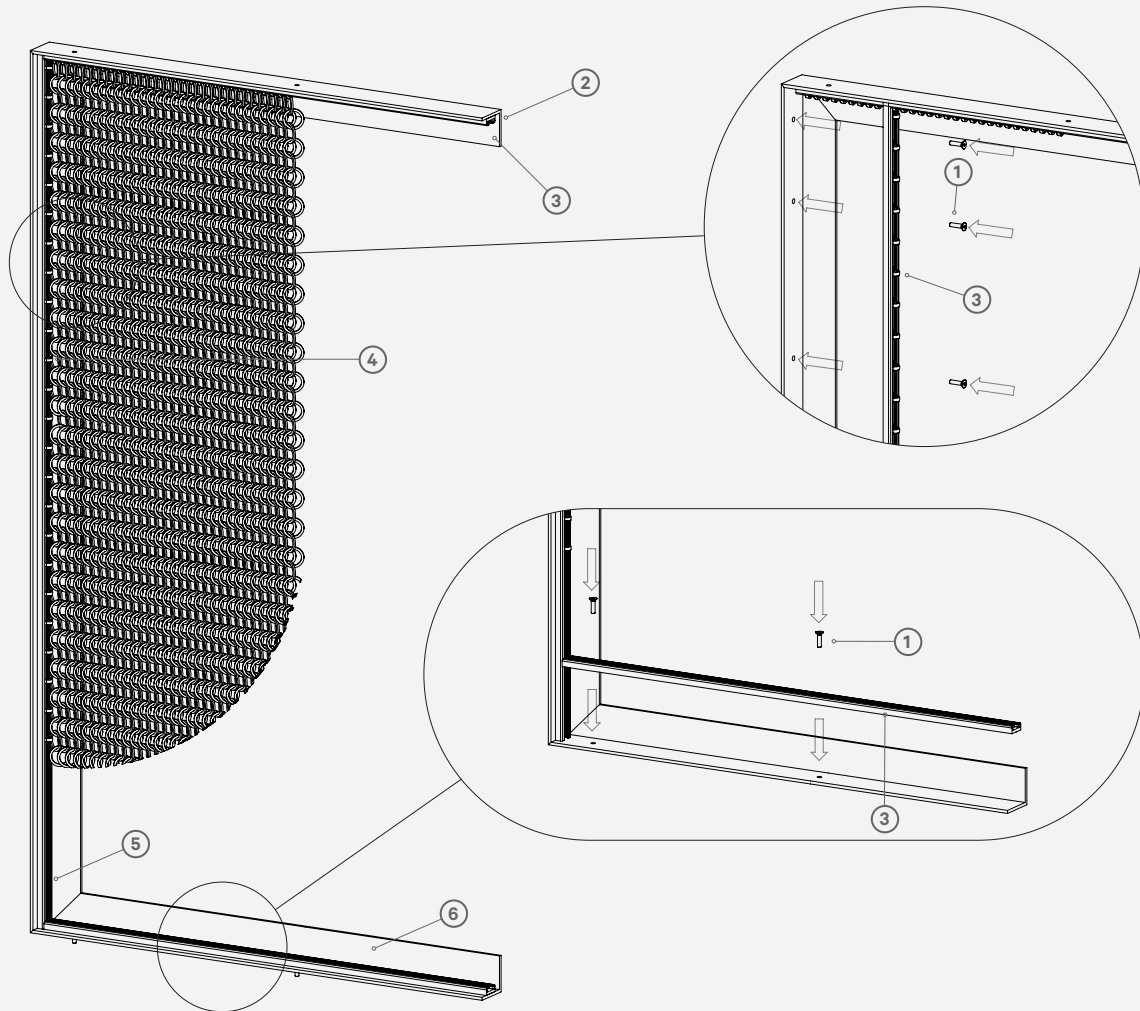
Fixing detail views

Not to scale. All details are indicative and for your information only.





Typical Kaynemaile Fixing Details



- ① Kaynemaile standard M4 stainless steel fixings.
- ② Typical steel sub-frame (not supplied). Recommended minimum fixing area 2" (50mm).
- ③ Kaynemaile anodised aluminium track 0.9" wide x 0.39" high (23mm wide x 10mm high).
- ④ Kaynemaile press-fit clips.
- ⑤ Kaynemaile anodised aluminium track 0.9" wide x 0.39" high (23mm wide x 10mm high).
- ⑥ Kaynemaile standard M4 stainless steel fixings.

Please Note: These details are provided for information purposes only and may not be the full extent of your project requirements. Please contact Kaynemaile or your local representative for more information.